

# Simplifying Complex Cases

The NSE (Novel Scoring Element) ALPHA scoring balloon has three 'free-floating' nylon elements positioned on the outside of the balloon that reduce vessel stretch and vessel injury by scoring the plaque longitudinally, while avoiding balloon slippage. The NSE Alpha is able to retain flexibility and deliverability due to the flexible nature of the material utilized to form the elements. Lesion indications include bifurcation, in-stent restenosis, small vessel, heavily calcified and ostial lesions, as well as being ideal for lesion preparation of new generation devices such as DEB and DES.

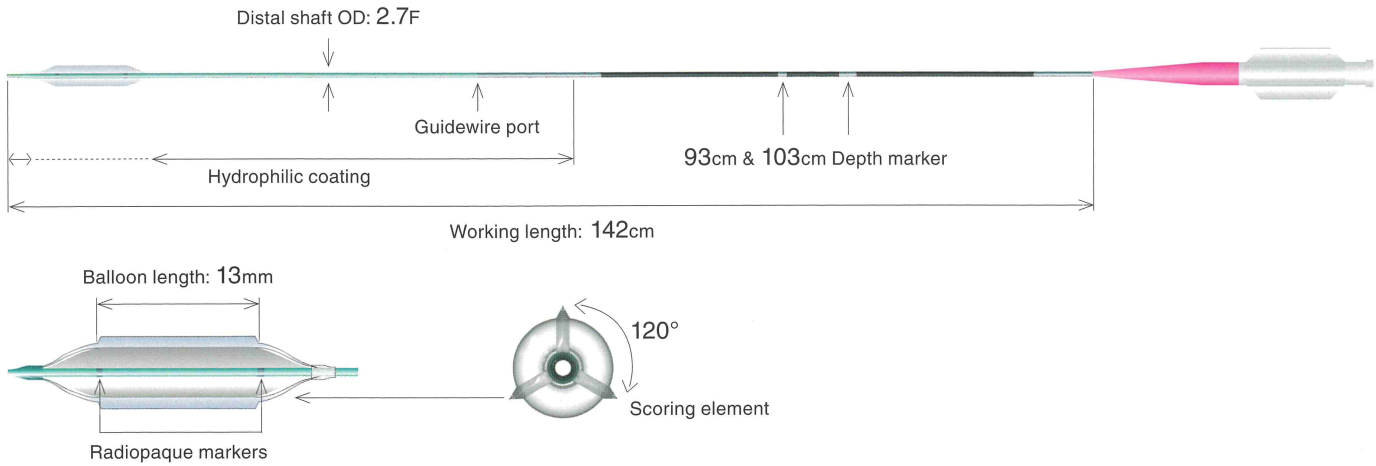
## NSE ALPHA

Coronary Dilatation Catheter with Novel Scoring Elements

## Product Description

Nominal Pressure <b>6 atm</b>	Rated Burst Pressure <b>14 atm</b>	Scoring Material <b>Nylon</b>	Number of Scoring Elements <b>3</b> (120° intervals)	Height of Elements <b>0.0155</b> inch (0.39mm)
Shaft Diameter (OD) <b>2.2F / 2.7F</b> (Proximal) (Distal)	Tip Entry Profile <b>0.0167</b> inch	Compatible Guidewire <b>0.014</b> inch (0.36mm)	Delivery System <b>RapidExchange (RX)</b>	Coating <b>Hydrophilic</b>

## Catheter Design



## Compliance Chart

Inflation Pressure		Balloon Diameter (mm)							
atm	kPa	2.00mm	2.25mm	2.50mm	2.75mm	3.00mm	3.25mm	3.50mm	4.00mm
4	4x10 <sup>2</sup>	1.93	2.16	2.38	2.65	2.89	3.13	3.37	3.86
5	5x10 <sup>2</sup>	1.97	2.20	2.44	2.70	2.95	3.19	3.45	3.94
<b>6</b>	<b>6x10<sup>2</sup></b>	<b>2.00</b>	<b>2.25</b>	<b>2.50</b>	<b>2.75</b>	<b>3.00</b>	<b>3.25</b>	<b>3.50</b>	<b>4.00</b>
7	7x10 <sup>2</sup>	2.03	2.28	2.55	2.79	3.04	3.29	3.54	4.05
8	8x10 <sup>2</sup>	2.06	2.31	2.59	2.81	3.07	3.32	3.57	4.10
9	9x10 <sup>2</sup>	2.08	2.34	2.63	2.84	3.10	3.35	3.61	4.14
10	10x10 <sup>2</sup>	2.10	2.36	2.66	2.86	3.12	3.38	3.64	4.17
11	11x10 <sup>2</sup>	2.12	2.38	2.68	2.88	3.14	3.41	3.66	4.19
12	12x10 <sup>2</sup>	2.14	2.40	2.70	2.90	3.16	3.43	3.69	4.22
13	13x10 <sup>2</sup>	2.16	2.42	2.72	2.92	3.18	3.46	3.71	4.24
<b>14</b>	<b>14x10<sup>2</sup></b>	<b>2.18</b>	<b>2.45</b>	<b>2.74</b>	<b>2.94</b>	<b>3.20</b>	<b>3.48</b>	<b>3.73</b>	<b>4.26</b>
15	15x10 <sup>2</sup>	2.20	2.47	2.76	2.96	3.22	3.50	3.75	4.27
16	16x10 <sup>2</sup>	2.23	2.49	2.78	2.98	3.25	3.53	3.77	4.29
17	17x10 <sup>2</sup>	2.25	2.51	2.80	3.00	3.27	3.56	3.80	4.31
18	18x10 <sup>2</sup>	2.27	2.53	2.82	3.02	3.29	3.58	3.82	4.32

NP RBP

## Ordering Information

Model No.	Balloon Diameter (mm)	Balloon Length (mm)	Distal Shaft OD (F / mm)	Nylon Element
NSA20013	2.00	13	2.7 / 0.90	3
NSA22513	2.25	13	2.7 / 0.90	3
NSA25013	2.50	13	2.7 / 0.90	3
NSA27513	2.75	13	2.7 / 0.90	3
NSA30013	3.00	13	2.7 / 0.90	3
NSA32513	3.25	13	2.7 / 0.90	3
NSA35013	3.50	13	2.7 / 0.90	3
NSA40013	4.00	13	2.7 / 0.90	3

► Please consult your sales representative regarding stock availability.